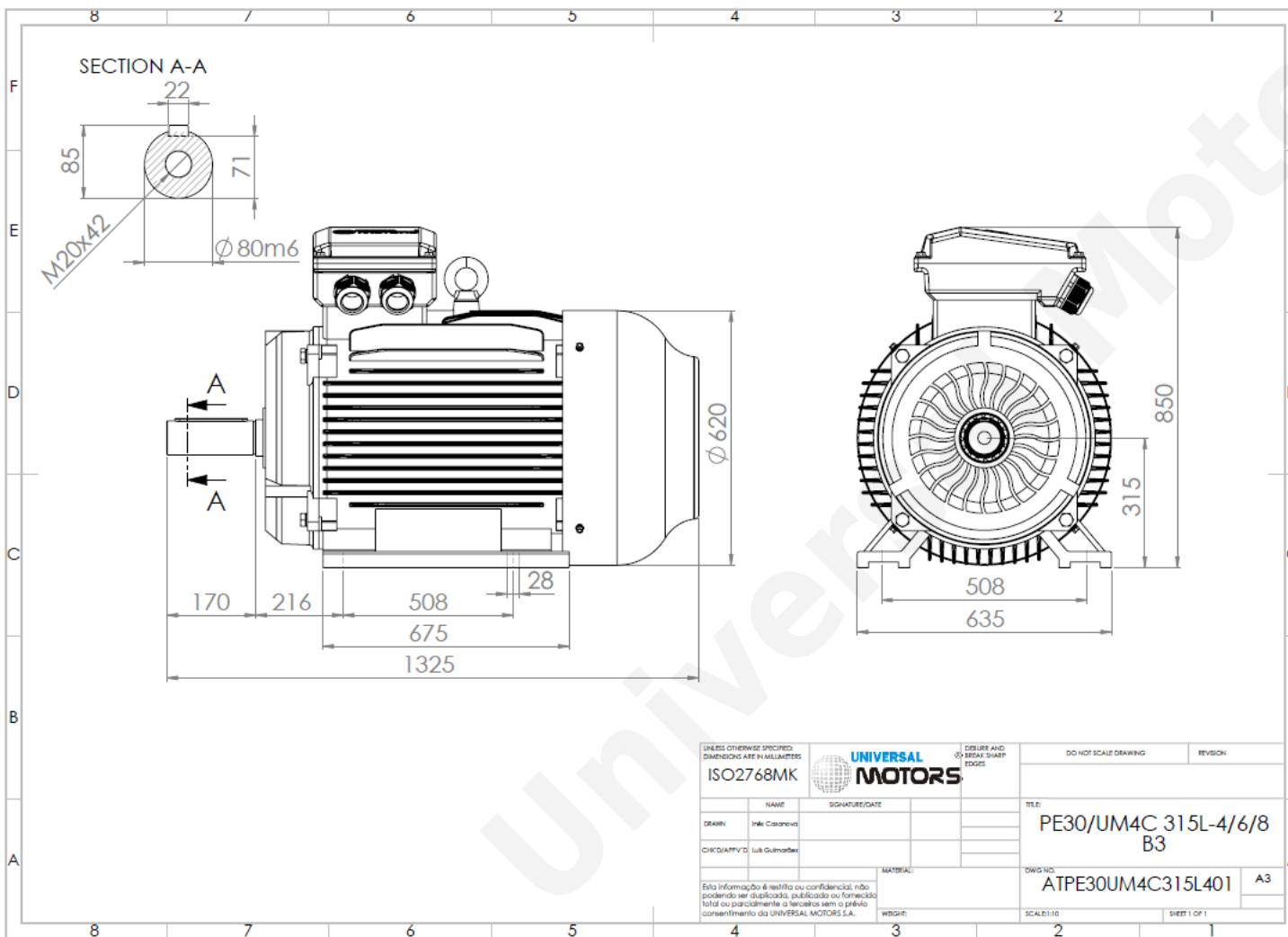




# TECHNICAL DATA

Three Phase Electric Motors - Cast Iron Frame  
 PE30 315 L2 6 IE3  
 132 kW / 180 Cv  
 990 RPM



Motor type:	<b>PE30 315 L2 6 IE3</b>
Output:	<b>132 kW / 180 Cv</b>
Speed (min <sup>-1</sup> ):	<b>990 RPM</b>
Frequency:	<b>50 Hz</b>
Voltage:	<b>400 V</b>
Current:	<b>232 A</b>
Power factor (Cos Ø):	<b>0.86</b>
Poles:	<b>6</b>
Insulation class:	<b>F</b>
Temperature rise Class:	<b>B</b>
Efficiency 50%:	<b>94.1 %</b>
Efficiency 75%:	<b>95.4 %</b>
Efficiency 100%:	<b>95.5 %</b>
Torque:	<b>1273 N.m</b>
Tstarting/Tnominal:	<b>2.0</b>
Istarting/Inominal:	<b>6.8</b>
Tmaximum/Tnominal:	<b>2.0</b>
Noise:	<b>72 Db(A)</b>
Weight:	<b>1102 Kg</b>
Bearing DE:	<b>NU 319</b>
Bearing NDE:	<b>6319 C3</b>

UNLESS OTHERWISE SPECIFIED DIMENSIONS ARE IN MILLIMETERS		UNIVERSAL MOTORS		DESURE AND OR BREAK SHARP EDGES	DO NOT SCALE DRAWING	REVISION
ISO2768MK		UNIVERSAL MOTORS				
NAME	SIGNATURE/DATE	TITLE:		PE30/UM4C 315L-4/6/8 B3		
DESIGN		DRAWING NO:		ATPE30UM4C315L401		
CHIEF/APPV'D:		MATERIAL:	WEIGHT:	SCALE:1:10	SHEET 1 OF 1	
Esta informação é restrita ou confidencial; não podendo ser divulgada, publicada ou fornecida total ou parcialmente a terceiros sem o prévio consentimento da UNIVERSAL MOTORS S.A.						

Regime - S1

Altitude - 1000m

Environment Temperature - 40°C

## CONTACTS:

UNIVERSAL MOTORS      Tel: +351 252 299 080  
 Rua de São Brás,745      Fax: +351 252 299 089  
 4480-782 VILA DO CONDE      Mail: [geral@universalmotors.pt](mailto:geral@universalmotors.pt)

\* References applied only in the UK